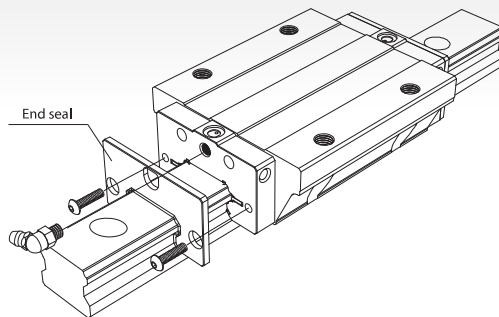

Contamination protection

Each series of linear guideway offers various kinds of dust protection accessory to keep the foreign matters from entering into the carriage.

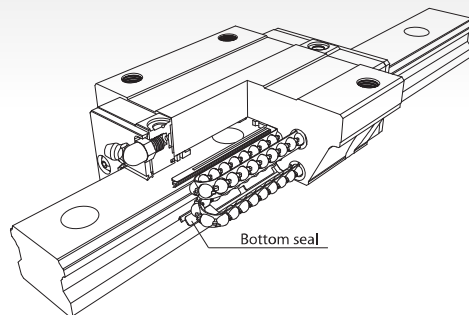
End seal



Two types sealing are available:

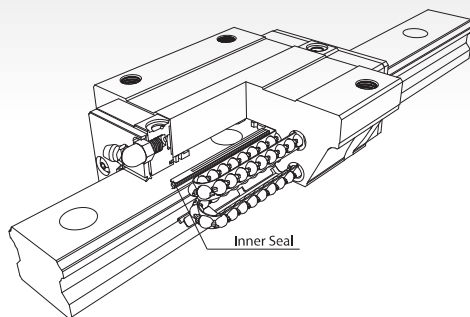
1. Seal for high dust protection required.
2. Seal for low frictional resistance required.

Bottom seal



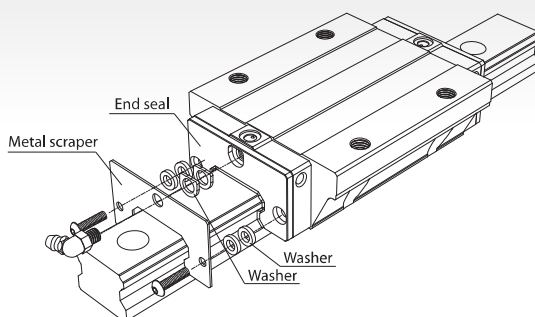
Prevent the inclusion of foreign matters from the bolt hole.

Inner Seal



Preventing the inclusion of foreign matters from bottom of carriage.

Metal scraper



Removing spatters, iron chips, and large foreign matters as well as protecting the end seals.