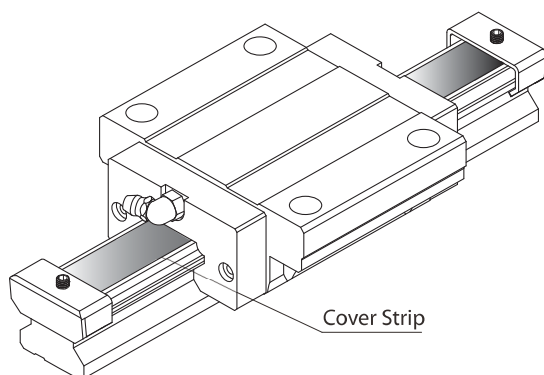


## Cover Strip

A special designed of cover strip is used to cover the bolt hole to prevent the foreign matters from entering the carriage. Indicate that the cover strip is required when ordering the guideway. Please refer to [B1-233] "Code of Contamination Protection for Rail" for the ordering code.

**Standard Type (Apply to MSA 、 MSB 、 SME 、 MSR 、 SMR 、 SMA 、 SMB Series)**



### Note:

When mounting the cover strip, the rail needs to be machined. The cover strip does not increase the height of rail. ( the code of rail dust proof accessories "CC")

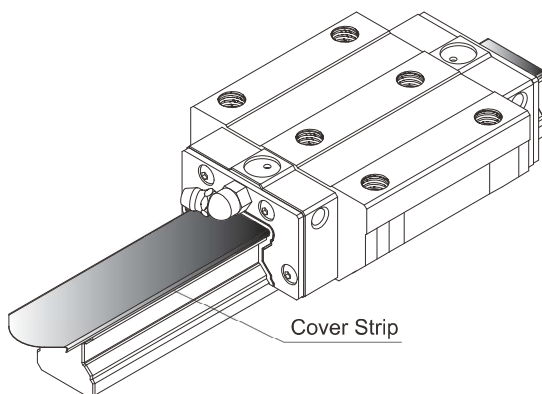
### Note:

When mounting the cover strip, if the rail doesn't need to be machined, the cover strip will increase the height 0.3 mm after the rail assembly, therefore, the resistance will increase. ( the code of rail dust proof accessories "CD")

---

### Buckle Type (Apply to MSR, SMR Series)

For the customer application, PMI design the buckle type of cover strip. The cover strip is fixed on the rail, and that will increase the assembly height of rail.



Series	Increment(mm)	Assembly Height of Rail(mm)
SMR25/MSR25	0.3	23.8
SMR30/MSR30	0.3	27.8
SMR35/MSR35	0.3	30.8
SMR45/MSR45	0.3	37.3
SMR55/MSR55	0.3	43.3
SMR65/MSR65	0.3	52.3

**Note:** Due to the increase of the cover strip thickness, the preload will increase after mounting.